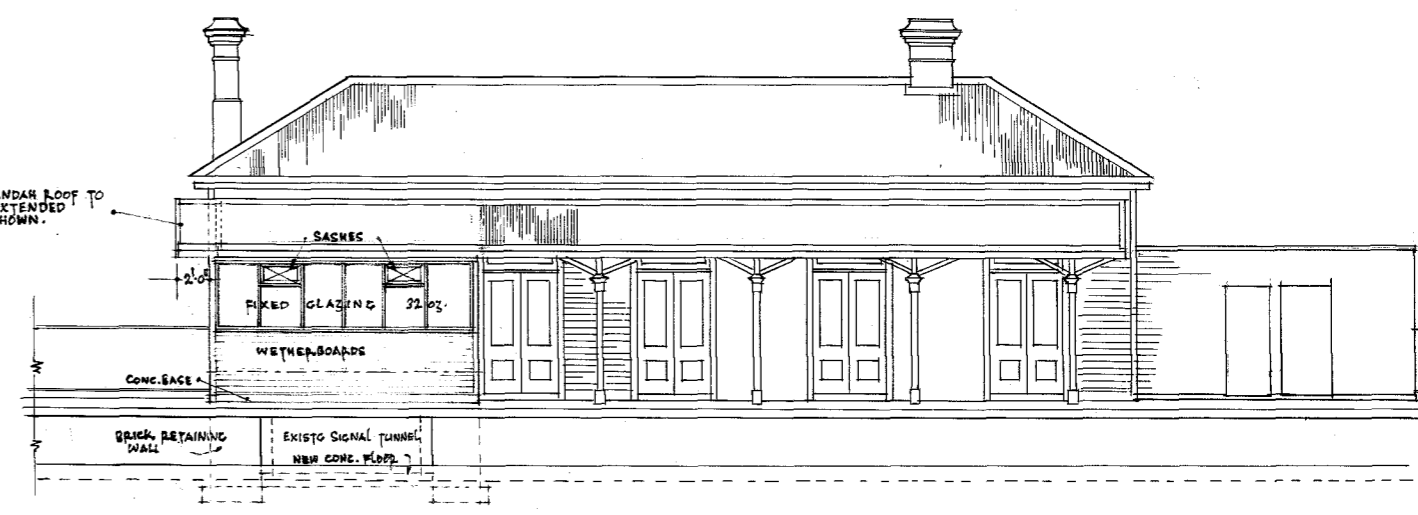
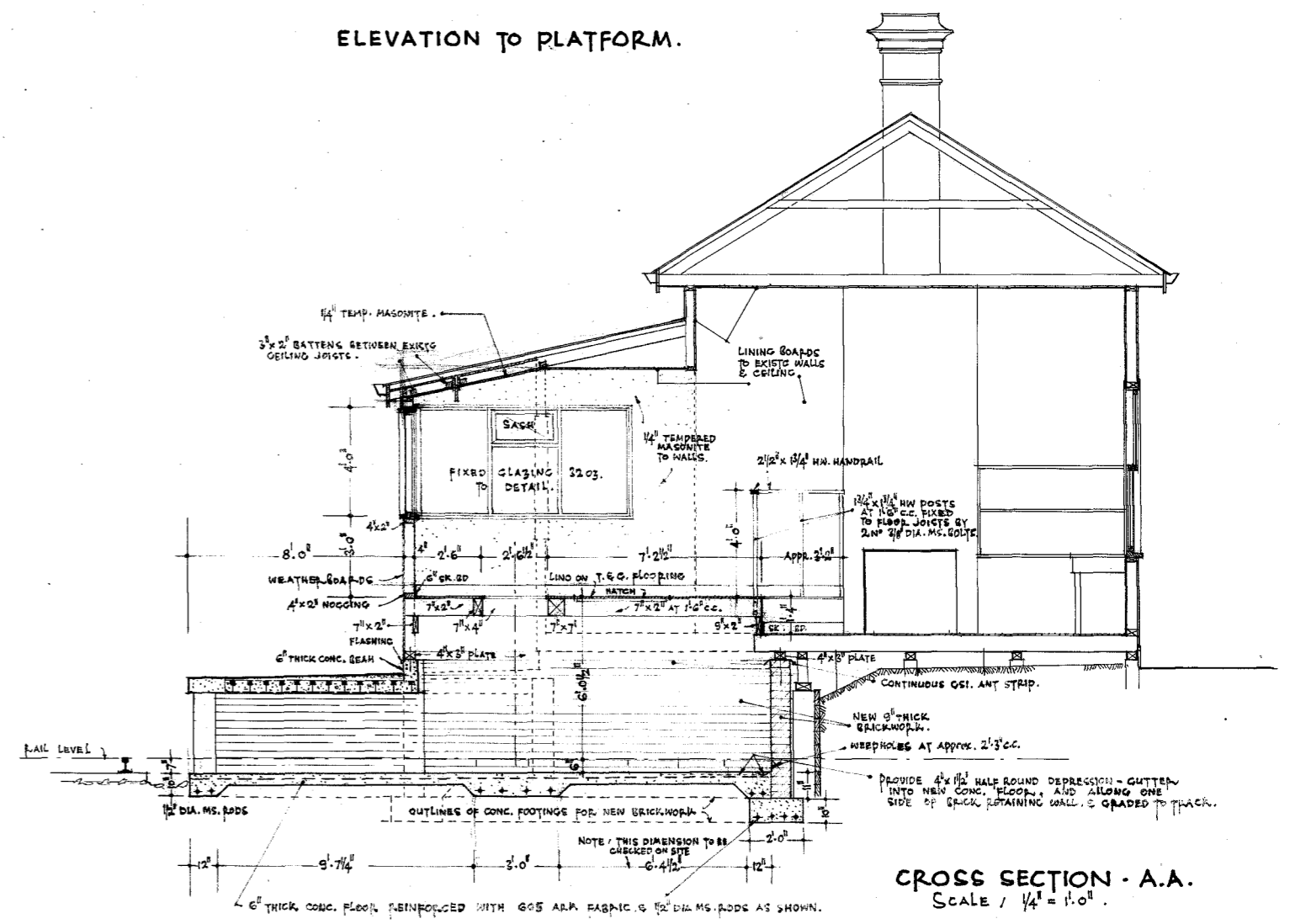


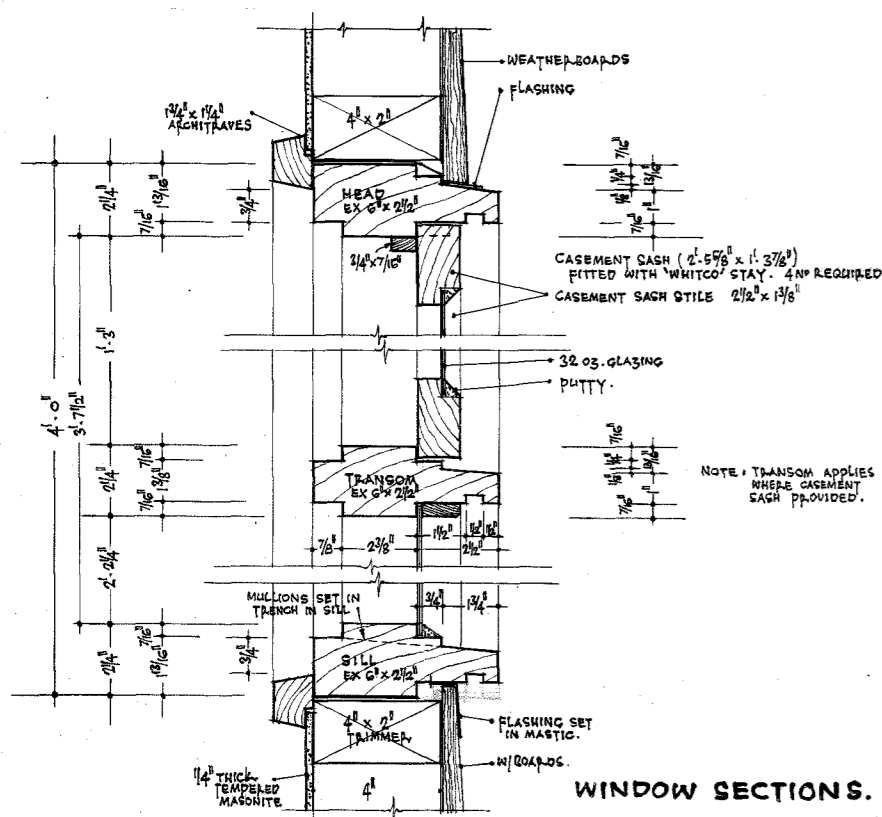
PLAN. Scale 1/8" = 1'-0"



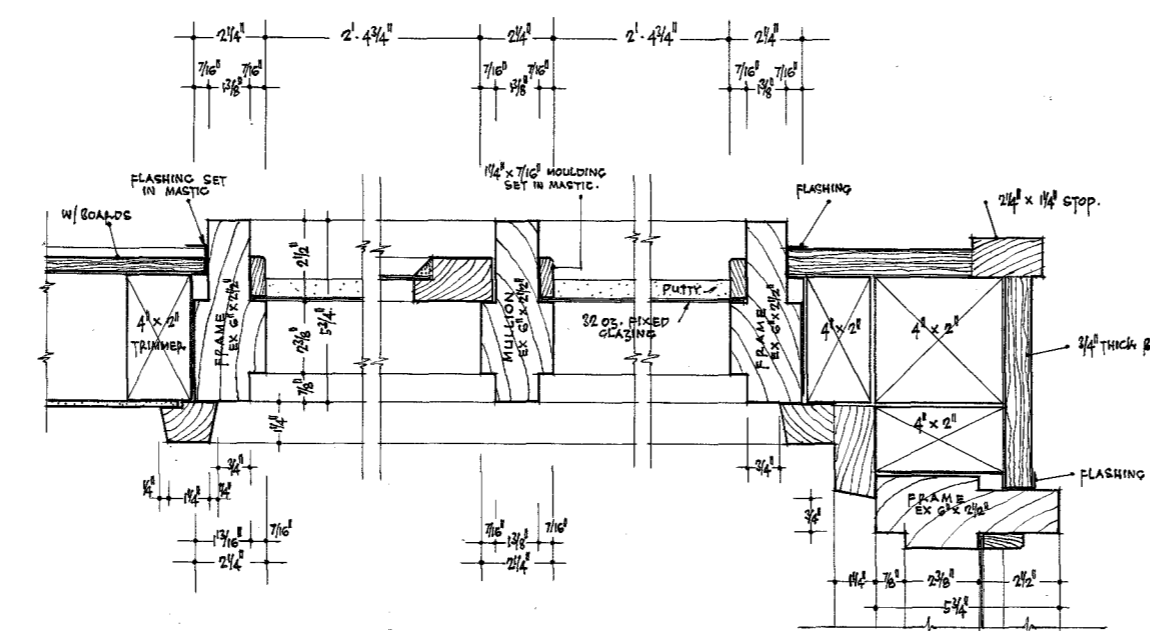
ELEVATION TO PLATFORM.



CROSS SECTION - A.A. Scale 1/4" = 1'-0"



WINDOW SECTIONS.



WINDOW PLAN DETAILS. Scale 3/8" = 1'-0"

Approved: SIGNAL AND TELEGRAPH ENGINEER

V. R.
KANIVA
PROPOSED ALTERATIONS
TO SIGNAL BAY. SCALES AS SHOWN.

888 16-866
ACTG CHIEF CIVIL ENGINEER

A	17.8.66	WINDOW DETAILS ADDED.	K.J.	ACTG CHIEF CIVIL ENGINEER
REVISION	DATE	AMENDMENT	AMENDED BY	DRAWN BY
				K.J.

DRAWN	TRACED	CHECKED	CORRECTED	CORPUS N°	DATE
				14165/62	1916

SR 4733 PLANN°
B 34 525-66.